



AKU SHAPER

Customer:

Date:

10 oct. 2013

Length:

8' 2 3/4" (2508.6)

Width:

22 1/16" (560.0)

Thickness:

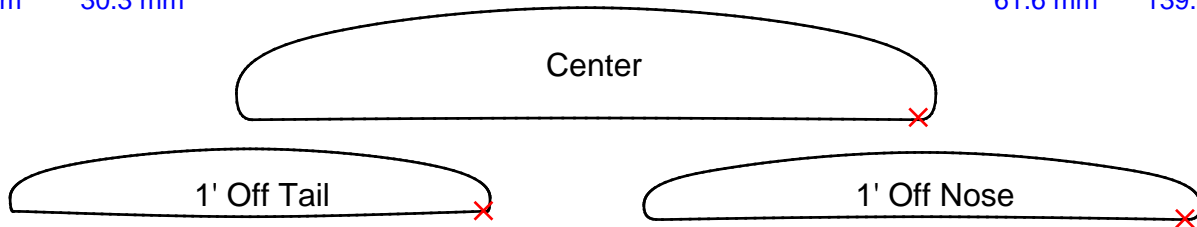
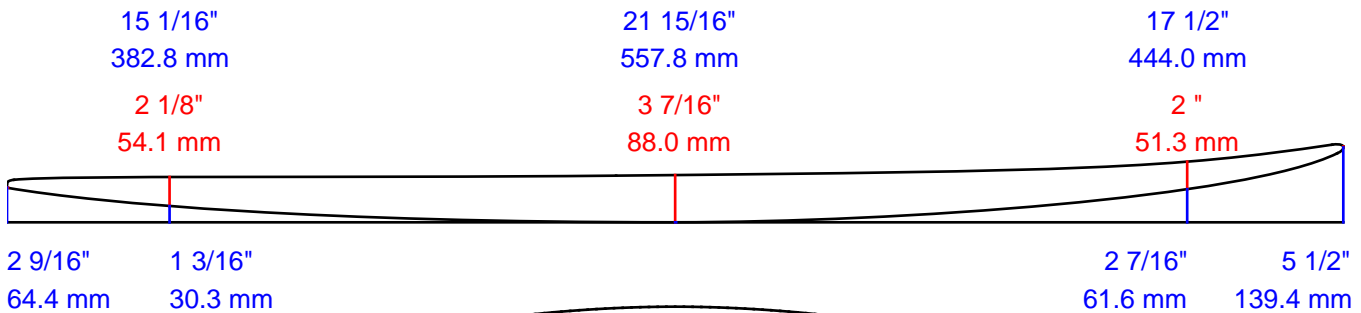
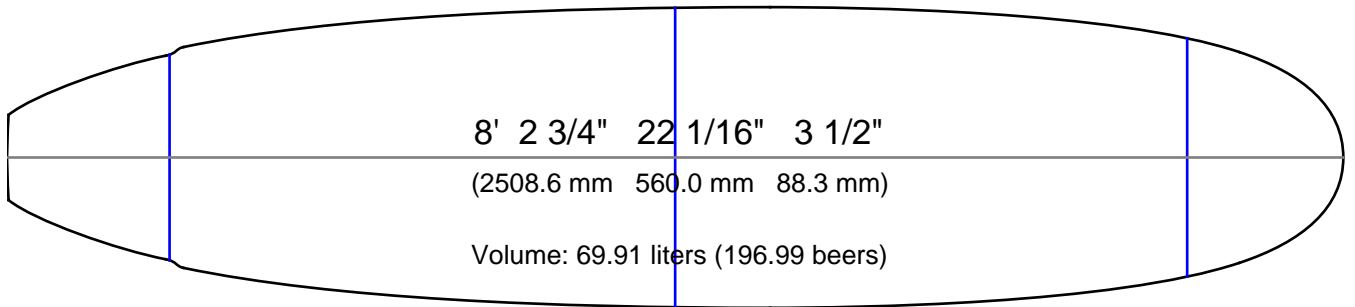
3 1/2" (88.3)

Tail Stop:

35 7/16" (900.0)

File: 8 Ball 8'2

Designed by: DERBOIS Renaud Blank:



Measurements are center, one foot in and one foot back, over curve.

Comments: